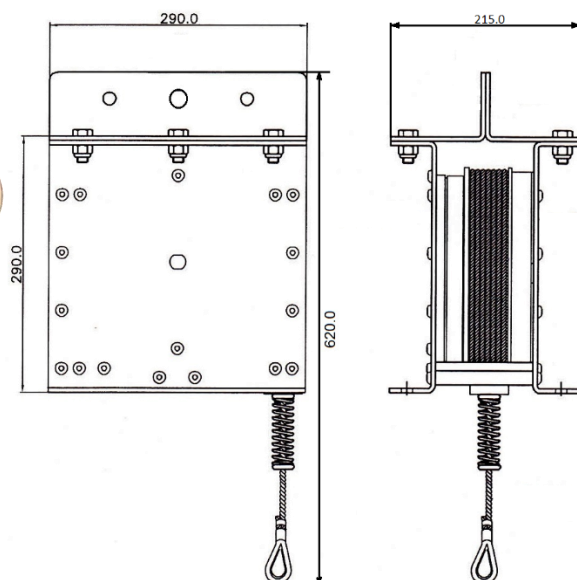


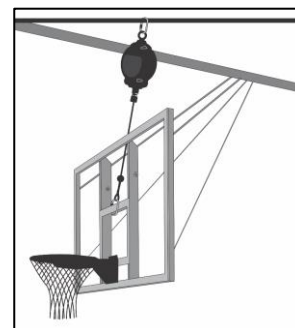


# TECHNICAL SHEET LA 10 1000 11

## LOAD ARRESTER 1000 KG MAXI



- Load arrester designed to stop the fall of a load with a maximum weight of 1000 kg.
- Multi-ratchet quick fall arrest system.
- Integrated energy absorber, which reduces the efforts on the structure.
- Reduced fall arrest distance.
- Intensive number of cycles.
- Integrated fall indicator and limit switch indicator.
- Can be either installed upon a structure or suspended.
- Works with the cable output towards the bottom (when fixed by the top part) or towards the top (when fixed by the bottom part).
- On the upper part, 2 holes: 1 for lifting, 1 for fixing.



Wire rope length:	<b>CE</b>	Weight:
11 m		23 kg

### KRATOS SAFETY

ZI les Portes du Dauphiné  
4, rue de l'Aigue  
69780 Saint Pierre de Chandieu – FRANCE

Tel : +33 (0)4 72 48 78 27

Fax : +33 (0)4 72 48 58 32

[www.kratossafety.com](http://www.kratossafety.com) / [info@kratossafety.com](mailto:info@kratossafety.com)

### Material of the components:

Casings: steel.

Wire rope: galvanized steel, diam. 8 mm.

<b>HS CODE</b>
84798997
<b>CARTON SIZE / PCS.</b>
45 x 33 x 38 cm / 1
<b>COMPLIANCE</b>
Machinery Directive 2006/42/EC
<b>ARTICLE 11 GB07/73551</b>
SGS United Kingdom Ltd., N°0120 Unit 202B, Worle Parkway, Weston-super-Mare, BS22 6WA, United Kingdom